



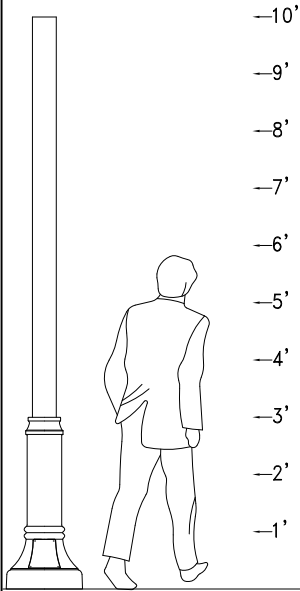
WINT (formerly AP-117) Wintergreen 5" Pole

Project Information

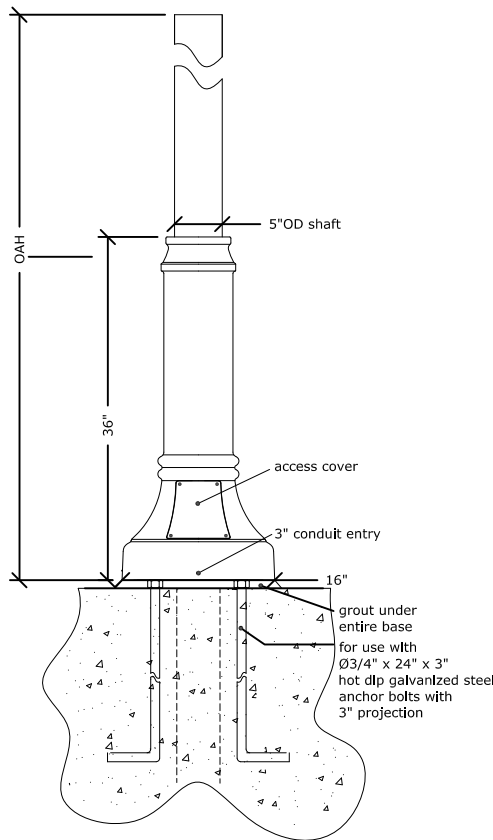
Name / Location: _____
 Type / Quantity: _____ / _____
 Sold to: _____
 PO#: _____

Approvals

Perspective



Base Details



Specifications

Construction:
 All cast aluminum parts shall be low copper alloy A356. All extruded aluminum parts shall be alloy 6061-T6. Base shall be monolithic.

Anchor Bolts:
 3/4"X24"X3" anchor bolts, double hex nuts and flat washers shall be hot dipped galvanized steel. A bolt circle template shall be provided.

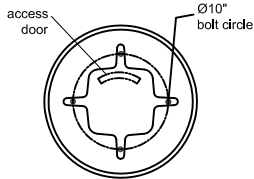
Direct Burial Extension:
 Direct burial extension length shall be at least 20% of overall pole height. Consult factory for recommendations.

Vibration Dampeners:
 Vibration dampener pads shall be provided when required by customer or deemed necessary by Beacon Products.

EPA (Effective Projected Area):
 EPA is defined as (Surface Area x Drag Coefficient). Allowable Pole, Luminaire Arm, Luminaire and Accessory EPAs are derived from the most current published AASHTO standard (American Association of State Highway and Transportation Officials), currently AASHTO 2001. Customer assumes all responsibility for selecting the appropriate pole for installation. Luminaire Arm, Luminaire and Accessory EPA must be equal to or less than allowable EPA of pole. Consult a professional engineer for compliance with local codes and standards.

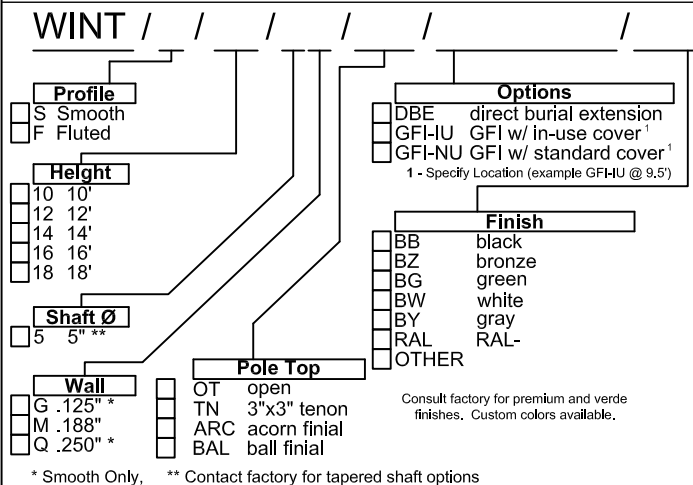
Fasteners:
 All fasteners shall be stainless steel. When tamper resistant fasteners are required, spanner HD (snake eye) style shall be provided (special tool required, available at additional cost).

Anchor Bolt Pattern



Accessories, additional pole tops & other options:
 Consult Pole Accessories and Options selection guide for more information

Ordering Example:
WINT / S / 14 / 5M / OT / GFI-IU@9' / BB



Available EPA index

Catalog Number	Wall Thickness	Nominal Height	AASHTO 2001 Wind Zones (mph)							Weight (lbs)
			90	100	110	120	130	140	150	
WINT/S/10/5G	.125"	10'	12.3	9.7	7.9	6.5	5.5	4.6	4.0	74
WINT/S/12/5G	.125"	12'	9.6	7.5	6.0	5.0	4.1	3.5	2.69	78
WINT/S/14/5M	.188"	14'	12.3	9.7	7.8	6.4	5.3	4.5	3.8	97
WINT/S/14/5Q	.250"	14'	16.0	12.7	10.3	8.6	7.2	6.1	5.3	112
WINT/S/16/5M	.188"	16'	10.0	7.7	6.2	5.0	4.1	3.5	2.9	104
WINT/S/16/5Q	.250"	16'	13.1	10.2	8.3	6.8	5.7	4.8	4.1	121
WINT/S/18/5Q	.250"	18'	10.5	8.1	6.5	5.3	4.4	3.7	3.1	130
WINT/F/10/5M	.188"	10'	18.6	14.6	11.7	9.4	7.7	6.3	5.1	85
WINT/F/12/5M	.188"	12'	18.6	11.6	9.1	7.1	5.6	4.5	3.5	91
WINT/F/14/5M	.188"	14'	12.1	9.2	7.0	5.3	4.0	3.0	2.2	98
WINT/F/16/5M	.188"	16'	9.7	7.1	5.2	3.8	2.6	1.7	1.0	105

Caution:
 Consult factory for structural approval prior to attaching banners or other appendages. Warranty void if pole is cut, welded, drilled or otherwise modified outside Beacon factory.