



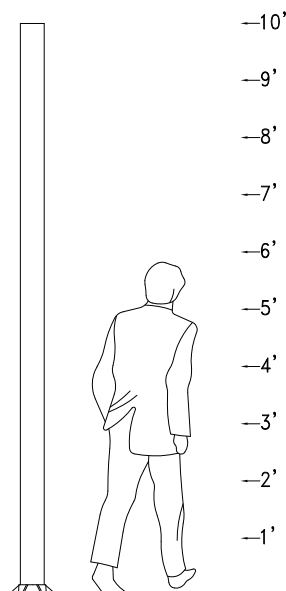
# SHO5 (formerly AP-91) Structural 5" Pole

## Project Information

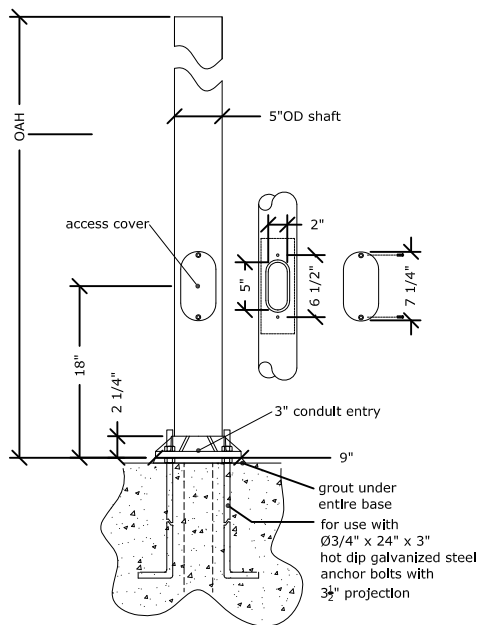
Name / Location: \_\_\_\_\_  
 Type / Quantity: \_\_\_\_\_ / \_\_\_\_\_  
 Sold to: \_\_\_\_\_  
 PO#: \_\_\_\_\_

## Approvals

### Perspective



### Base Details



### Specifications

**Construction:**  
 All cast aluminum parts shall be copper free alloy A356 All extruded aluminum parts shall be alloy 6061-T6. Base shall be monolithic.

**Anchor Bolts:**  
 3/4"X24"X3" anchor bolts, double hex nuts and flat washers shall be hot dipped galvanized steel. A bolt circle template shall be provided.

**Direct Burial Extension:**  
 Direct burial extension length shall be at least 20% of overall pole height. Consult factory for recommendations.

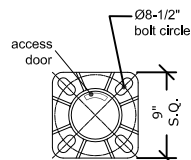
**Vibration Dampeners:**  
 Vibration dampener pads shall be provided when required by customer or deemed necessary by Beacon Products.

**EPA (Effective Projected Area):**  
 EPA is defined as (Surface Area x Drag Factor). Allowable Pole, Luminaire Arm, Luminaire and Accessory EPAs are derived from the most current published AASHTO standard (American Association of State Highway and Transportation Officials), currently AASHTO 2001. Customer assumes all responsibility for selecting the appropriate pole for installation. Luminaire Arm, Luminaire and Accessory EPA must be equal to or less than allowable EPA of pole. Consult a professional engineer for compliance with local codes and standards.

**Fasteners:**  
 All fasteners shall be stainless steel. When tamper resistant fasteners are required, spanner HD (snake eye) style shall be provided (special tool required, available at additional cost).

**Finish:**  
 Finish shall be Beacote III polyester powdercoat electrostatically applied and thermocured. Poles shall be subjected to iron phosphate chemical pre-treatment conversion prior to painting by immersion process.

### Anchor Bolt Pattern



Ordering Example:  
**SHO5 / S / 16 / 5M / OT / GFI-U@9' / BB**

**Accessories, additional pole tops & other options:**  
 Consult Pole Accessories and Options selection guide for more information

## SHO5 / / / / / / /

<p><b>Profile</b></p> <p><input type="checkbox"/> S Smooth</p> <p><input type="checkbox"/> F Fluted</p> <p><b>Height</b></p> <p><input type="checkbox"/> 10 10'</p> <p><input type="checkbox"/> 12 12'</p> <p><input type="checkbox"/> 14 14'</p> <p><input type="checkbox"/> 16 16'</p> <p><input type="checkbox"/> 18 18'</p> <p><b>Shaft Ø</b></p> <p><input type="checkbox"/> 5 5"</p> <p><b>Wall</b></p> <p><input type="checkbox"/> G .125" (S)</p> <p><input type="checkbox"/> M .188"</p> <p><input type="checkbox"/> Q .250" (S)</p>	<p><b>Options</b></p> <p><input type="checkbox"/> DBE direct burial extension</p> <p><input type="checkbox"/> GFI-U GFI w/ in-use cover<sup>1</sup></p> <p><input type="checkbox"/> GFI-NU GFI w/ standard cover<sup>1</sup></p> <p><small>1 - Specify Location (example GFHU @ 9.5')</small></p> <p><b>Finish</b></p> <p><input type="checkbox"/> BB black</p> <p><input type="checkbox"/> BZ bronze</p> <p><input type="checkbox"/> BG green</p> <p><input type="checkbox"/> BW white</p> <p><input type="checkbox"/> BY gray</p> <p><input type="checkbox"/> RAL RAL-</p> <p><input type="checkbox"/> OTHER _____</p> <p><small>Consult factory for premium and verde finishes. Custom colors available.</small></p>
---	---

**Pole Top**

OT open

TN 3"x3" tenon

ARC acorn finial

BAL ball finial

### Available EPA index

Catalog Number	Wall Thickness	Nominal Height	AASHTO 2001 Wind Zones (mph)								Weight (lbs)
			90	100	110	120	130	140	150		
SHO5/S/10/5G	.125"	10'	12.3	9.7	7.9	6.5	5.5	4.6	4.0	53	
SHO5/S/12/5G	.125"	12'	9.6	7.5	6.0	5.0	4.1	3.5	2.69	58	
SHO5/S/14/5M	.188"	14'	12.3	9.7	7.8	6.4	5.3	4.5	2.9	78	
SHO5/S/14/5Q	.250"	14'	16.0	12.7	10.3	8.6	7.2	6.1	5.3	93	
SHO5/S/16/5M	.188"	16'	10.0	7.7	6.2	5.0	4.1	3.5	2.9	85	
SHO5/S/16/5Q	.250"	16'	13.1	10.2	8.3	6.8	5.7	4.8	4.1	102	
SHO5/S/18/5Q	.250"	18'	10.5	8.1	6.5	5.3	4.4	3.7	3.1	111	
SHO5/F/10/5M	.188"	10'	186	14.6	11.7	9.4	7.7	6.3	5.1	67	
SHO5/F/12/5M	.188"	12'	18.6	11.6	9.1	7.1	5.6	4.5	3.5	74	
SHO5/F/14/5M	.188"	14'	12.1	9.2	7.0	5.3	4.0	3.0	2.2	81	
SHO5/F/16/5M	.188"	16'	9.7	7.1	5.2	3.8	2.6	1.7	1.0	88	

**Caution:**  
 Consult factory for structural approval prior to attaching banners or other appendages. Warranty void if pole is cut, welded, drilled or otherwise modified outside Beacon factory.