



AA-49

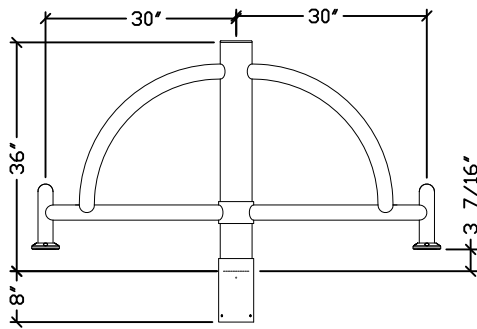
Radius Crossarm & Wall Bracket

Project Information

Name Location: _____ / _____
 Type / Quantity: _____ / _____
 Sold to: _____
 PO#: _____

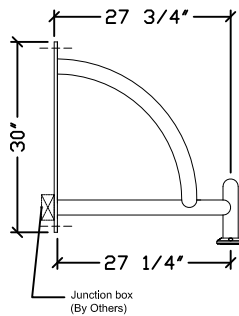
Approvals

Crossarm Details



Note: Horizontal dimensions vary with shaft diameter

Wall Bracket Details



Specifications

Construction:

All cast aluminum parts shall be low copper alloy A356. All extruded aluminum parts shall be alloy 6061-T6, 6063-T5 or equal.

Crossarm Installation:

The crossarm is designed to slip over an 8" section of the pole top and is secured with six stainless steel set-screws. The mounting adaptor shall be designed for 1.5G vibration conditions, when used with a Beacon Products luminaire.

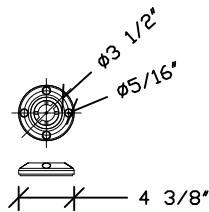
Wall Bracket Installation:

The wall bracket is anchored to the wall by four mounting bolts, which are not provided by Beacon as their size (maximum diameter of 3/8") and depth will vary according to the type of wall. The maximum projection of the mounting bolts is 1.25". The junction box is not supplied by Beacon, however the bracket was designed to conceal a fully recessed rectangular single-gang junction box.

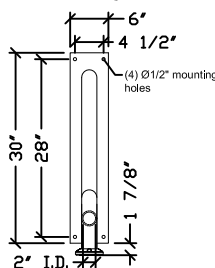
EPA (Effective Projected Area):

EPA is defined as (Surface Area x Drag Coefficient). Allowable Pole, Luminaire Arm, Luminaire and Accessory EPAs are derived from the most current published AASHTO standard (American Association of State Highway and Transportation Officials), currently AASHTO 2001. Customer assumes all responsibility for selecting the appropriate pole for installation. Luminaire Arm, Luminaire and Accessory EPA must be equal to or less than allowable EPA of pole. Consult a professional engineer for compliance with local codes and standards.

Luminaire Mounting Details



Wall Mounting Details



Fasteners:

All fasteners (where provided) shall be stainless steel. When tamper resistant fasteners are required, spanner HD (snake eye) style shall be provided (special tool required, available at additional cost).

Finish:

Finish shall be Beacote III polyester powdercoat electrostatically applied and thermocured. Wall brackets & Crossarms shall be subjected to iron phosphate chemical pre-treatment prior to painting by immersion process.

Ordering Example:

AA-49 / S / 4 / P / A / BB

Junction box
(By Others)

AA-49 / / / / / / / /

Pole shaft profile

- W Wall
- S Smooth
- F Fluted

Pole shaft Ø

- W Wall
- 4 4"
- 5 5"
- 6 6"

Luminaire Mounting

- T Tenon
- P Pendant
- S Side

Arrangement | EPA index (ft²) / weight (lbs)

Shaft Ø	Wall	Arrangement EPA index (ft ²) / weight (lbs)									
		A	B	C	D	E	F	G	H	I	J
Ø4"	Weight	15lbs	-	-	-	-	-	-	-	-	-
	EPA	1.52	2.59	3.95	3.95	3.15	4.13	4.13	4.50	5.08	5.08
Ø5"	Weight	-	18lbs	26lbs	27lbs	26lbs	34lbs	35lbs	34lbs	42lbs	43lbs
	EPA	-	2.90	4.26	4.26	3.41	4.44	4.44	4.71	5.39	5.39
Ø6"	Weight	-	21lbs	29lbs	30lbs	29lbs	37lbs	38lbs	37lbs	45lbs	46lbs
	EPA	-	3.21	4.57	4.57	3.77	4.75	4.75	5.12	5.70	5.70
	Weight	-	23lbs	32lbs	33lbs	32lbs	40lbs	41lbs	40lbs	48lbs	49lbs

Finish

- BB Basic Black
- BZ Basic Bronze
- BG Basic Green
- BW Basic White
- BY Basic Gray
- PRE Premium (Specify)
- RAL RAL color

Consult factory for premium and verde finishes. Custom colors available.