



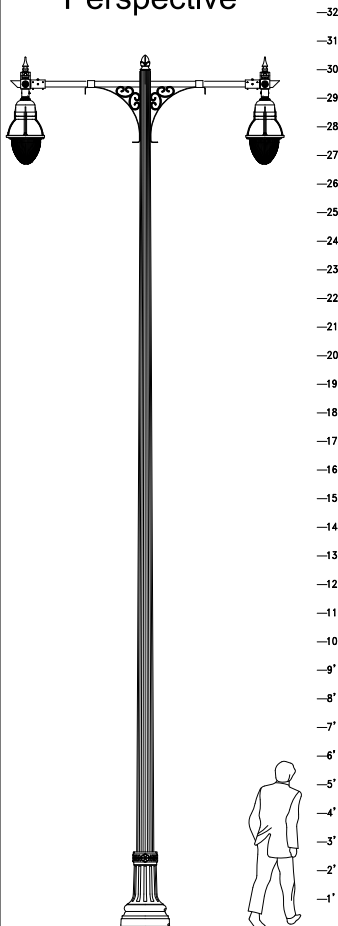
NYCL (formerly AP-61) Large New York Base Cover

Project Information

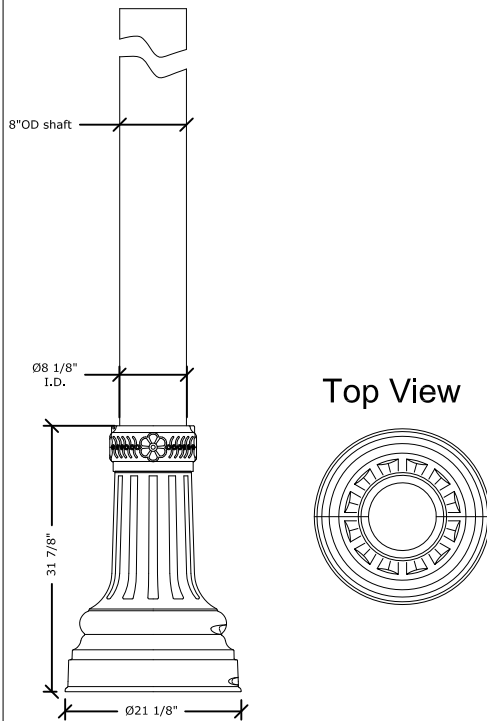
Name / Location: _____
 Type / Quantity: _____ / _____
 Sold to: _____
 PO#: _____

Approvals

Perspective



Base Cover Details



Top View

*Base only, pole not included

Specifications

Construction:

All cast aluminum parts shall be low copper alloy A356.

Fasteners:

All fasteners shall be stainless steel. When tamper resistant fasteners are required, spanner HD (snake eye) style shall be provided (special tool required, available at additional cost).

Finish:

Finish shall be Beacote III polyester powdercoat electrostatically applied and thermocured. Base covers shall be subjected to iron phosphate chemical pre-treatment prior to painting by immersion process.

Ordering Example:

NYCL / 8 / BB

Accessories, additional pole tops & other options:

Consult Pole Accessories and Options selection guide for more information

NYCL / / /

Shaft Ø
8 8"

- Finish**
- BB black
 - BZ bronze
 - BG green
 - BW white
 - BY gray
 - RAL RAL- _____
 - OTHER _____

Consult factory for premium and verde finishes. Custom colors available.