



MADXL

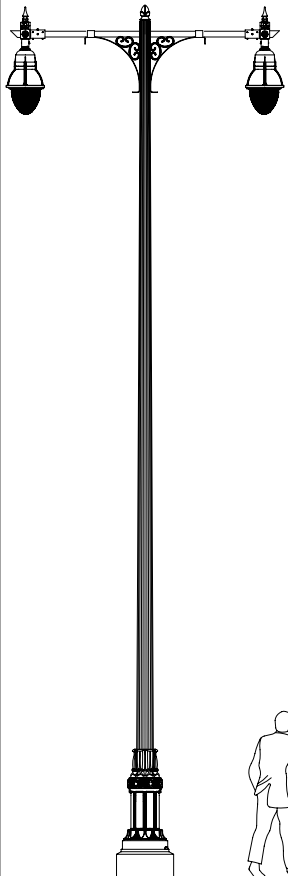
Extra Large Madison Base Cover

Project Information

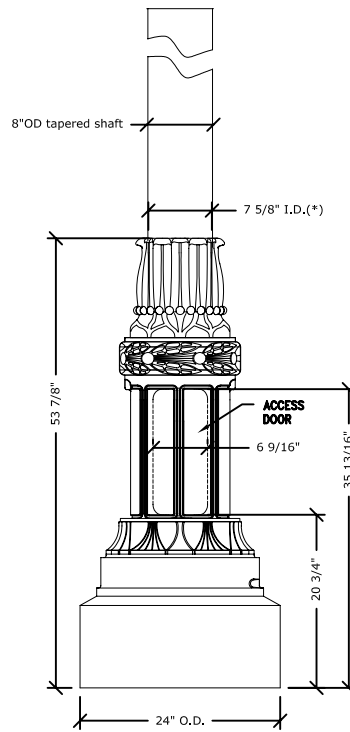
Name / Location: _____
 Type / Quantity: _____ / _____
 Sold to: _____
 PO#: _____

Approvals

Perspective



Base Cover Details



Specifications

Construction:
 All cast aluminum parts shall be low copper alloy A356.

Fasteners:
 All fasteners shall be stainless steel. When tamper resistant fasteners are required, spanner HD (snake eye) style shall be provided (special tool required, available at additional cost).

Finish:
 Finish shall be Beacote III polyester powdercoat electrostatically applied and thermocured. Base covers shall be subjected to iron phosphate chemical pre-treatment prior to painting by immersion process.

Ordering Example:
MADXL / 8 / BB

Accessories, additional pole tops & other options:
 Consult Pole Accessories and Options selection guide for more information

MADXL / / /

Shaft Ø
 8 8"

Finish

- BB black
- BZ bronze
- BG green
- BW white
- BY gray
- RAL RAL- _____
- OTHER _____

Consult factory for premium and verde finishes. Custom colors available.