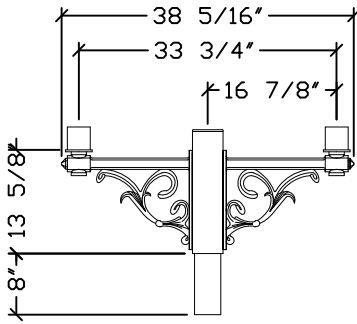


Project Information

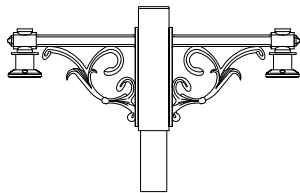
Name Location: _____ / _____
 Type / Quantity: _____ / _____
 Sold to: _____
 PO#: _____

Approvals

Crossarm Details



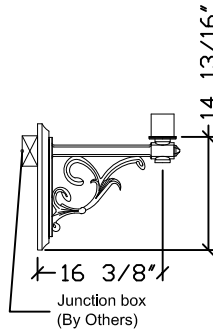
Post Mount



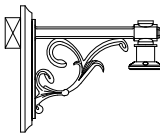
Pendant Mount

Formerly AA-181 (single) & AA-182 (twin)
 (horizontal dimensions will vary with shaft diameter)

Wall Bracket Details



Junction box
(By Others)



Pendant Mount

Formerly AW-181

Specifications

Construction:

All cast aluminum parts shall be low copper alloy A356. All extruded aluminum parts shall be alloy 6061-T6, 6063-T5 or equal.

Crossarm Installation:

The crossarm is designed to slip into an 8" section of the pole top and is secured with six stainless steel set screws. The pendant mounting adaptor shall be designed for 1.5G vibration conditions, when used with a Beacon Products luminaire.

Wall Bracket Installation:

The wall bracket is anchored to the wall by four mounting bolts, which are not provided by Beacon as their size (maximum diameter of 3/8"), type of fastener and depth will vary according to the type of wall. The maximum projection of the mounting bolts is 1.25". The junction box is not supplied by Beacon, however the bracket is designed to conceal a fully recessed rectangular single-gang junction box.

EPA (Effective Projected Area):

EPA is defined as (Surface Area x Drag Coefficient). Allowable Pole, Luminaire Arm, Luminaire and Accessory EPAs are derived from the most current published AASHTO standard (American Association of State Highway and Transportation Officials), currently AASHTO 2001. Customer assumes all responsibility for selecting the appropriate pole for installation. Luminaire Arm, Luminaire and Accessory EPA must be equal to or less than allowable EPA of pole. Consult a professional engineer for compliance with local codes and standards.

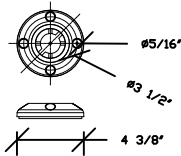
Fasteners:

All fasteners shall be stainless steel. When tamper resistant fasteners are required, spanner HD (snake eye) style shall be provided (special tool required, available at additional cost).**

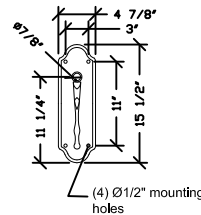
Finish:

Finish shall be Beacote III polyester powdercoat electrostatically applied and thermocured. Crossarms and Wall Brackets shall be subjected to iron phosphate chemical pre-treatment prior to painting by immersion process.

Pendant Luminaire Mounting Details



Wall Mounting Details



Ordering Example:

AA-18 / S / 4 / B / P / BB

AA-18 / / / / / / / /

see note*

- Pole shaft profile**
- W Wall
 - S Smooth
 - F Fluted

- Pole shaft Ø**
- W Wall
 - 4 4"
 - 5 5"
 - 6 6"

*Specify the above if a non-Beacon pole will be used

** Consult factory

Arrangement | EPA index (ft²) / weight (lbs)

Shaft Ø	Wall	Arrangement									
		A	B	C	D	E	F	G	H	I	J
Ø4"	Weight	10lbs	-	-	-	-	-	-	-	-	-
	EPA	-	1.57	2.6	2.6	2.0	2.33	2.33	2.61	3.47	3.47
Ø5"	Weight	-	17lbs	24lbs	25lbs	24lbs	31lbs	32lbs	31lbs	38lbs	39lbs
	EPA	-	1.71	2.75	2.75	2.14	2.47	2.47	2.75	3.61	3.61
Ø6"	Weight	-	20lbs	27lbs	28lbs	27lbs	34lbs	35lbs	34lbs	41lbs	42lbs
	EPA	-	1.84	2.88	2.88	2.27	2.6	2.6	2.88	3.74	3.74
	Weight	-	23lbs	30lbs	31lbs	30lbs	37lbs	38lbs	37lbs	44lbs	45lbs

- Finish**
- BB black
 - BZ bronze
 - BG green
 - BW white
 - BY gray
 - RAL RAL-
 - OTHER _____

Consult factory for premium and verde finishes. Custom colors available.

- Luminaire Mounting**
- T Tenon
 - P Pendant