



CMB42 (formerly AB-2742)

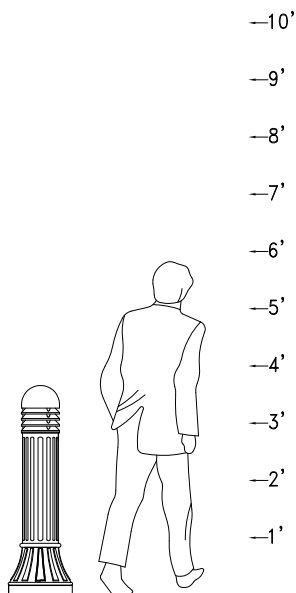
Lighted & Unlighted CMB Bollard

Project Information

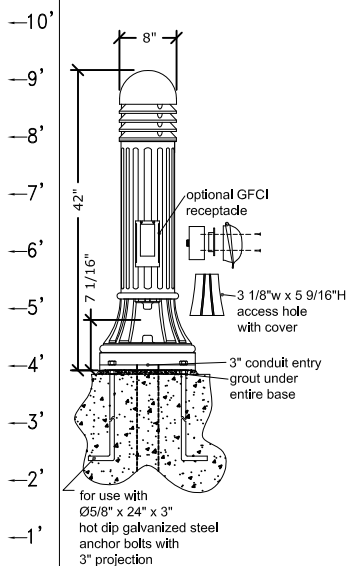
Name / Location: _____ / _____
 Type / Quantity: _____ / _____
 Sold to: _____
 PO#: _____

Approvals

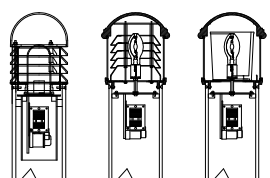
Perspective



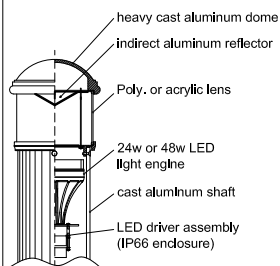
Bollard Detail



Optical Options



- A. External Louvers
- B. Internal Louvers
- C. Borosilicate Glass Refractor



D. Indirect LED

Specifications

Construction:

All cast aluminum components shall be low copper alloy A356. All extruded aluminum components shall be alloy 6061-T6, 6063-T5 or equal.

Electrical Assembly (HID & CFL):

The electrical assembly shall be comprised of a high power factor ballast, designed to operate an HID lamp (by others) up to 70 watts and shall be integrally mounted to a removable aluminum tray with nonferrous fasteners. The lamp holder shall be porcelain glazed and rated for 600V and 4KV pulse for medium based lamps. Electronic ballasts shall be supplied for all CFL sources and are an option for HID sources, consult factory for details.

Electrical Assembly (LED):

The electrical assembly shall be comprised of an electronic LED driver assembly designed to operate the integral 24-watt or 48-watt light emitting diode light engine (LED source). The driver(s) shall be integrally mounted with nonferrous brackets and fasteners. The driver shall have a high temperature, flame-resistant (UL 94-V0 minimum) plastic enclosure, 90°C maximum surface temp rating, and thermally protected transient over-voltage circuit. The input voltage range shall be 100-277 VAC, 47 to 63 Hz with a 90% power factor at full load. Load regulation shall be +/- 3%. The driver shall have output over voltage and over current protection and output short circuit protection with Auto Recovery. Operating temperature shall be -30c to +60c. The driver shall be designed to operate at full load for 100,000 hours (mean time to failure) and the LED source shall be rated for 50,000 hours (70% lumen maintenance). The LED source shall be mounted to a thermally conductive medium (heat sink) and located within the sealed optical chamber.

The luminaires shall be NRTL listed and suitable for wet locations.

Fasteners:

All fasteners shall be stainless steel. When tamper resistant fasteners are required, spanner HD (snake eye) style shall be provided (special tool required, available at additional cost).

Anchor Bolts:

5/8"X24"X3" anchor bolts, double hex nuts and flat washers shall be hot dipped galvanized steel. A bolt circle template shall be provided.

Direct Burial Extension:

Consult factory for recommendations.

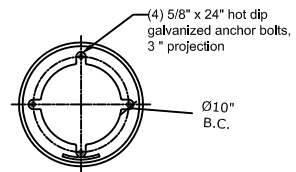
Finish:

Finish shall be Beacote III polyester powdercoat electrostatically applied and thermocured. Luminaires shall be subjected to iron phosphate chemical pre-treatment prior to painting by immersion process.

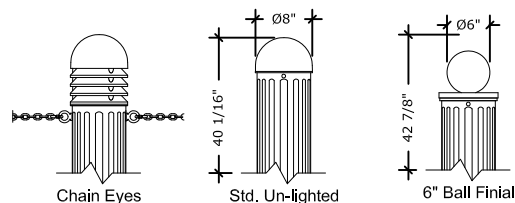
Notes:

*LED source wattages are based on total fixture load.

Anchor Bolt Pattern



Style Options



Ordering Example:

CMB42L / AC / LED48-120 / IND5 / FS / BB

CMB42

Style <input type="checkbox"/> L Lighted <input type="checkbox"/> U Unlighted	Source <input type="checkbox"/> MH50 50w metal halide <input type="checkbox"/> MH70 70w metal halide <input type="checkbox"/> HPS50 50w high pressure sodium <input type="checkbox"/> HPS70 70w high pressure sodium <input type="checkbox"/> CF42 42w compact fluorescent <input type="checkbox"/> LED24 24w Light Emitting Diode ³ <input type="checkbox"/> LED48 48w Light Emitting Diode ³ <input type="checkbox"/> OTHER	Socket⁴ <input type="checkbox"/> D medium <input type="checkbox"/> G12 G12 bi-pin ¹ <input type="checkbox"/> 4P 4-pin (compact fluorescent)	Electrical Options <input type="checkbox"/> FS fuse holder <input type="checkbox"/> EB electronic ballast ¹ <input type="checkbox"/> IQ IQ On Board ⁴ <input type="checkbox"/> GFI 20A GFCI & cover	Finish <input type="checkbox"/> BB black <input type="checkbox"/> BZ bronze <input type="checkbox"/> BG green <input type="checkbox"/> BW white <input type="checkbox"/> BY gray <input type="checkbox"/> RAL RAL- <input type="checkbox"/> OTHER
Lens Material <input type="checkbox"/> A Acrylic <input type="checkbox"/> P Polycarbonate	Optical Options, Distribution <input type="checkbox"/> BL bare lamp, type V <input type="checkbox"/> GR3 glass refractor, type III <input type="checkbox"/> GR5 glass refractor, type V <input type="checkbox"/> ENL external louvers, type V <input type="checkbox"/> LVR1 internal louvers, type V <input type="checkbox"/> IND5 indirect reflector, no louvers. ⁵	Style Options <input type="checkbox"/> CES chain eye, single ² <input type="checkbox"/> CED chain eye, double ² <input type="checkbox"/> BT6 6" ball finial ⁶	Consult factory for premium and verde finishes. Custom colors available.	
Lens Finish <input type="checkbox"/> F Frosted <input type="checkbox"/> W White <input type="checkbox"/> C Clear ⁸	Voltage <input type="checkbox"/> 120 120v <input type="checkbox"/> 208 208v <input type="checkbox"/> 240 240v <input type="checkbox"/> 277 277v <input type="checkbox"/> 347 347v ¹ <input type="checkbox"/> 480 480v ¹			

- Notes:**
- 1: Consult Factory
 - 2: Specify Location
 - 3: LED source available 120-277V, IND5 req.
 - 4: N/A for LED source
 - 5: Req. for LED source, N/A for other sources
 - 6: Unlit only
 - 7: Varies by optical option
 - 8: Clear recommended for LED