

# PIE20 (LED) (formerly AL-08531)

## Small Pierwalk Luminaire

Weight: 35.0 lbs | EPA: 1.4 sqft

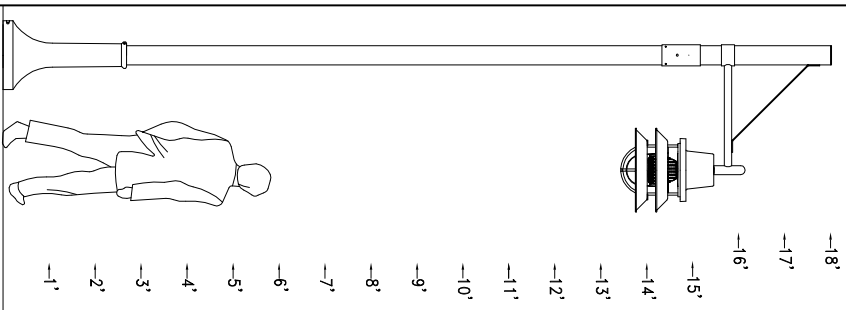
### Project Information

Name / Location:	/
Type / Quantity:	/
Sold to:	
PO#:	

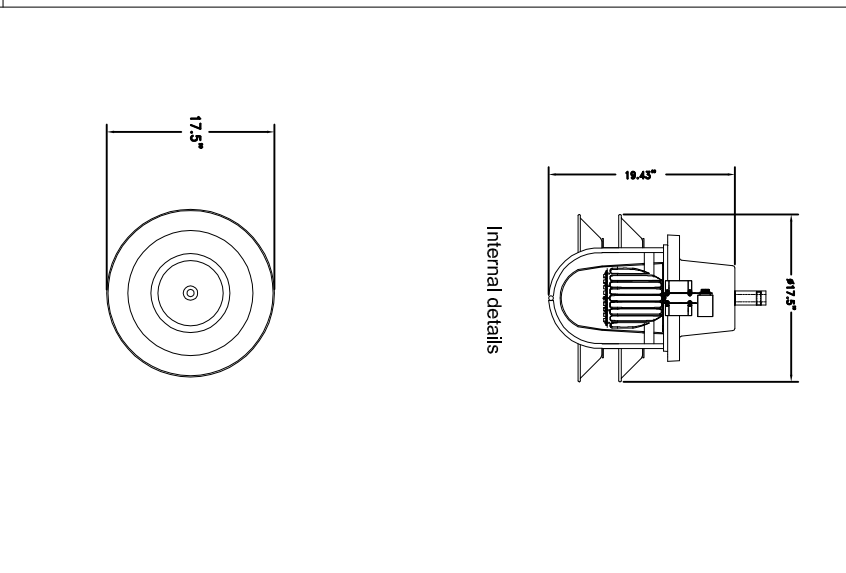
### Approvals

--

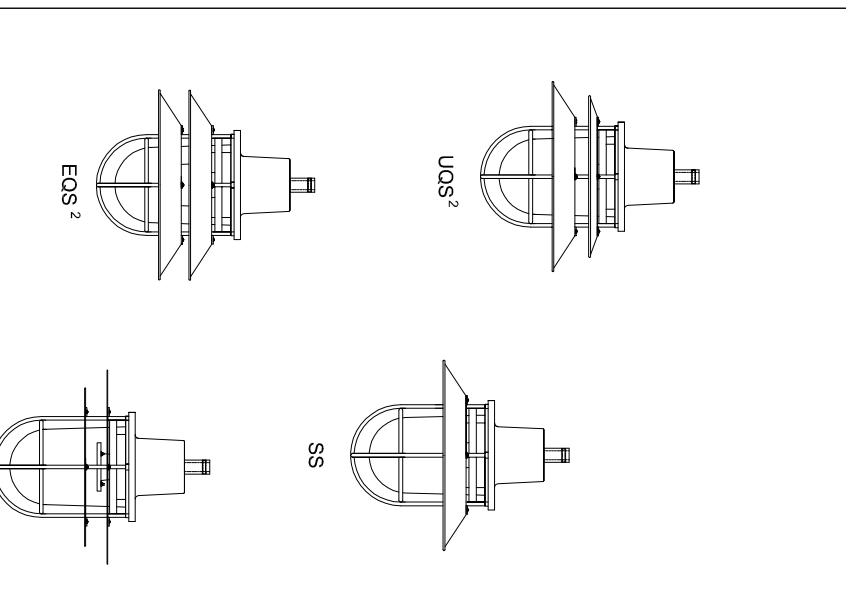
### Perspective



### Luminaire Details



### Style Options


**Definitions:**

- UQS - Unequal Shades
- EQS - Equal Shades
- SS - Single Shade
- UOD - Unequal Discs

 Ordering Example:  
 PIE20 / PBC / 24G-60 / UNV / PEC / UQS / BB

## PIE20

<input type="checkbox"/> Lens Material	<input type="checkbox"/> 24G-30 30w LED array	<input type="checkbox"/> engine-watts	<input type="checkbox"/> PBC photocell	<input type="checkbox"/> Mount Options	<input type="checkbox"/> Finish
<input type="checkbox"/> P Polycarbonate	<input type="checkbox"/> 24G-60 60w LED array	<input type="checkbox"/> 24G-60 60w LED array	<input type="checkbox"/> 1PF single power feed	<input type="checkbox"/> PT post top	<input type="checkbox"/> BB Basic Black
<input type="checkbox"/> Lens Profile	<input type="checkbox"/> OTHER	<input type="checkbox"/> 2PF dual power feed	<input type="checkbox"/> DD 0-10V dimming drivers	<input type="checkbox"/> PM pendant mount	<input type="checkbox"/> BZ Basic Bronze
<input type="checkbox"/> B Bullet					<input type="checkbox"/> BG Basic Green
<input type="checkbox"/> Lens Finish					<input type="checkbox"/> BW Basic White
<input type="checkbox"/> C Clear					<input type="checkbox"/> BY Basic Gray
<input type="checkbox"/> F Frosted					<input type="checkbox"/> PRE Premium (Specify)
<input type="checkbox"/> WWhite					<input type="checkbox"/> RAL RAL color
					Consult factory for premium and vendor finishes. Custom colors available.

Voltage	UNV/120-277V
	347V
	480V

Electrical Options	UQS Unequal Shades <sup>3</sup>
	EQS Equal Shades
	SS Single Shade
	UOD Unequal Discs

Style Options	BB Basic Black
	BZ Basic Bronze
	BG Basic Green
	BW Basic White
	BY Basic Gray
	PRE Premium (Specify)
	RAL RAL color
	Consult factory for premium and vendor finishes. Custom colors available.

 Notes:  
 1: Consult Factory  
 2: UQS and EQS shades, not recommended to be used with LED engines.

# PIE20 (LED) (formerly AL-08531)

## Small Pierwalk Luminaire

Weight: 35.0 lbs | EPA: 1.4 sqft

### Project Information

Name / Location:	/
Type / Quantity:	/
Sold to:	
PO#:	

### Approvals

--

### Specifications

**CONSTRUCTION:**

All cast aluminum parts shall be low copper alloy A356. All extruded aluminum parts shall be alloy 6061-T6, 6063-T5 or equal. The fixture ballast housing shall be a one piece casting. The decorative shade and disc elements shall be mechanically fastened to the cage assembly. The interior shall be sealed for weathertight operation.

**Color Rendering Index (CRI):** Luminaire shall have a minimum CRI of 70.

**Off State Power Consumption:** The power draw of the luminaire including PE devices must be zero watts when the off state.

**Operating Environment:** Shall be able to operate normally in temperatures from -20°C to 25°C.

**Cooling System:** Shall not consist of any fan, pump or liquids and must be resistant to debris buildup.

**LED heat sink:** The LED module and heat sink shall be removable and up-gradable. The drivers shall be mounted on a removable plate and protected by a 10,000 Amp transient surge protector. The heat sink shall be 356 cast aluminum and be fitted with 24 Cree XPG / 130 lumens LEDs.

**LED Array:** The 24 LED Array shall be 60 watts maximum and be provided with Type II, III, IV or V distributions. Each LED shall have one optical lens. The Heat Sink and LED Array shall be mounted on a mounting plate and pointed downward. Aiming of individual LEDs will not be accepted.

**LED Array board:** Board will mounted to the heat sink using 12-#4-40 screws to ensure contact to the thermal pad and heat sink. Use of thermal grease will not be allowed. The board will be provided with two circuits of 12 LEDs each. Each circuit will be supplied with one driver for a total of two drivers for two circuits. If one driver fails the other driver shall still light up one circuit of 12-LEDs.

**Lumen Depreciation of LED light:** Must comply with IESNA LM-80.

**Source:** Led module shall deliver at least 70% of initial lumens, when installed for a minimum of 70,000 hours.

**Light Distribution Shall be:** Street Classification Lighting Distribution Pattern Roadway / Area type II, III, IV & V.

**Power Supply/Power Requirements:** U.L. UL1310, Class 2 and UL48 compliant.

**Power Factor:** Shall have a power factor not less than 90% at full load.

**Operating Voltage:** 120 - 277 Volts.

**Driver Operating temperature:** Shall operate between -30°C and 60°C.

**Driver frequency:** Output operating frequency, 47 to 63 Hz.

**Interference:** Shall meet FCC 47 CFR Part 2, part 15 and Cisp PUB, Class B.

**Noise:** Shall have a Class A sound rating.

**Protection:** Over-voltage, Over-current and Short-circuit protection; Auto-recovery.

**Startup:** Must be instant restart.

**Surge Protector:** Transient over voltage protection shall be provided and rated at 10,000 Amps using the industry standard 8/20 pSec wave.

**File/Test Requirements:** Provide copy of UL or CSA certification as recognized component

**Warranty:**

Beacon luminaires feature a 5 Year limited warranty on all components of the retro-fit unit. The warranty period shall start at the date of shipment. The manufacturer shall supply contact information to the owner for replacements as well as a written confirmation from the manufacturer confirming the warranty terms. Warranty components must be readily available within normal lead times. Warranty must include parts, labor and shipping.

**Installation:**

When mounted to an arm supplied by Beacon Products, the fixture shall be permanently attached to the arm assembly with a stainless steel through pin and three stainless steel set screws.

**Service:**

Access to the optical and electrical components shall be made possible through a twist-lock globe (lens) and optical assembly.

**Fasteners:**

All fasteners shall be stainless steel. When tamper resistant fasteners are required, spanner HD (snake eye) style shall be provided (special tool required, consult factory).

**Finish:**

Finish shall be Beacote III polyester powdercoat electrostatically applied and thermocured. Luminaires shall be subjected to iron phosphate chemical pre-treatment prior to painting by immersion process.