



**SETI** (formerly AL-14939 & SE)

**Seti Luminaire**

**Weight: 40.0 lbs**

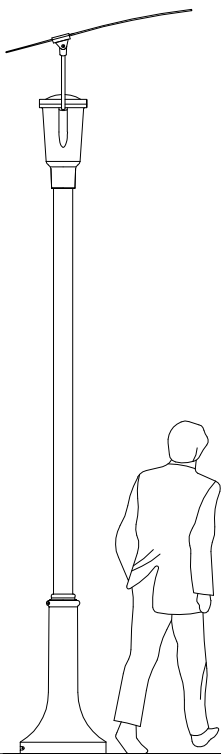
**Project Information**

Name / Location: \_\_\_\_\_ / \_\_\_\_\_  
 Type / Quantity: \_\_\_\_\_ / \_\_\_\_\_  
 Sold to: \_\_\_\_\_  
 PO#: \_\_\_\_\_

**Approvals**

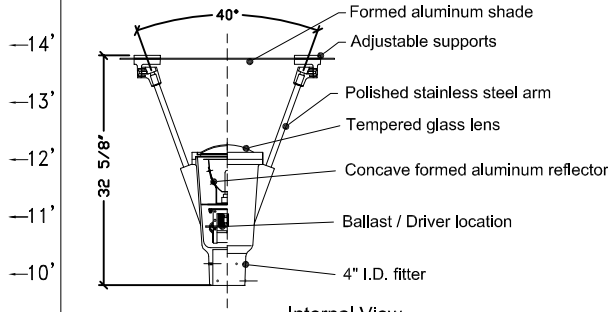
\_\_\_\_\_  
 \_\_\_\_\_  
 \_\_\_\_\_

**Perspective**

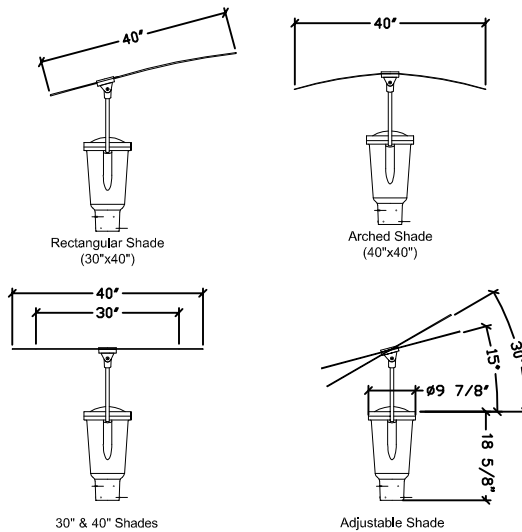


shown with 4" pole w/ MERL "Large Meridian" cover

**Luminaire Details**



Internal View



30" & 40" Shades

Adjustable Shade

**Specifications**

**Construction:**

All cast aluminum parts shall be low copper alloy 356.

The symmetrical upper reflector / shade shall be made from a one-piece formed aluminum spinning. The asymmetrical rectangular curved shade shall be formed from 3/16" thick aluminum material.

The housing shall be a one-piece aluminum casting, designed to house all electrical and optical assemblies and be mechanically sealed for weather tight operation. The upper reflector shall be mechanically suspended from polished stainless steel upright supports and adjustable connection brackets. The connection brackets shall allow for 30° of adjustability in both directions, in 15° increments.

The luminaire shall be open and non-lensed, which reduces the effective projected area (EPA) and Increases optical efficiency.

The fitter shall mount to 4"OD x 5"H tenon and be secured by six stainless steel set screws.

**Electrical Assembly (HID):**

The electrical assembly shall be comprised of a high power factor ballast, designed to operate an HID lamp (by others) up to 175 watts and shall be integrally mounted to a removable aluminum tray with nonferrous brackets and fasteners. The lamp holder shall be porcelain and rated 600V and 4KV pulse for medium and G12 based lamps. Electronic ballasts are an option for HID sources.\*\*

**Electrical Assembly (LED):**

The electrical assembly shall be comprised of an electronic LED driver assembly designed to operate the integral 24, 48 60-watt light emitting diode light engine (LED source). The driver(s) shall be integrally mounted with nonferrous brackets and fasteners. The driver shall have a high temperature, flame-resistant (UL 94-V0 minimum) plastic enclosure, 90°C maximum surface temp rating, and thermally protected transient over-voltage circuit. The input voltage range shall be 120-277 VAC, 47 to 63 Hz with a 90% power factor at full load. Load regulation shall be +/- 3%. The driver shall have output over voltage and over current protection and output short circuit protection with Auto Recovery. Operating temperature shall be -30°C to +60°C. The driver shall be designed to operate at full load for 100,000 hours (mean time to failure) and the LED source shall be rated for 50,000 hours (70% lumen maintenance). The LED source shall be mounted to a thermally conductive medium (heat sink) and located within the sealed optical chamber.

The luminaires shall be NRTL listed and suitable for wet locations.

**Fasteners:**

All fasteners shall be stainless steel. When tamper resistant fasteners are required, spanner HD (snake eye) style shall be provided (special tool required, available at additional cost).

**Finish:**

Finish shall be Beacote III polyester powdercoat electrostatically applied and thermocured. Luminaires shall be subjected to iron phosphate chemical pre-treatment prior to painting by immersion process.

**Ordering Example:**

SETI / LED48-120 / 30RD / PEC / BB

SETI / - - / - - / - - / - -

Source	
<input type="checkbox"/> MH70	70w metal halide
<input type="checkbox"/> MH10	100w metal halide
<input type="checkbox"/> MH17	175w metal halide
<input type="checkbox"/> CMH70	70w ceramic metal halide <sup>2</sup>
<input type="checkbox"/> CMH100	100w ceramic metal halide <sup>2</sup>
<input type="checkbox"/> CMH150	150w ceramic metal halide <sup>2</sup>
<input type="checkbox"/> HPS15	150w high pressure sodium
<input type="checkbox"/> LED24	24W Light Emitting Diode <sup>1</sup>
<input type="checkbox"/> LED48	48W Light Emitting Diode <sup>1</sup>
<input type="checkbox"/> LED60	60W Light Emitting Diode
<input type="checkbox"/> CF42	42w compact fluorescent

Voltage		Socket <sup>3</sup>	
<input type="checkbox"/> 120	120v	<input type="checkbox"/> D	medium
<input type="checkbox"/> 208	208v	<input type="checkbox"/> G12	G12 bi-pin (ceramic metal halide) <sup>2</sup>
<input type="checkbox"/> 240	240v		
<input type="checkbox"/> 277	277v		
<input type="checkbox"/> 347	347v <sup>2</sup>		
<input type="checkbox"/> 480	480v <sup>2</sup>		

Electrical Options	
<input type="checkbox"/> PEC	photocell
<input type="checkbox"/> FS	fuse holder <sup>1</sup>
<input type="checkbox"/> QRS	quartz restrike <sup>2</sup>
<input type="checkbox"/> EB	electronic ballast <sup>2</sup>
<input type="checkbox"/> IQ	IQ On Board

Style Options	
<input type="checkbox"/> 30RD	30" round reflector
<input type="checkbox"/> 40RD	40" round reflector
<input type="checkbox"/> 30SQ	30" square reflector
<input type="checkbox"/> 40SQ	40" square reflector
<input type="checkbox"/> CRTS	Curved Rectangular Shade
<input type="checkbox"/> ARCS	Arched Shade <sup>2</sup>

Finish	
<input type="checkbox"/> BB	black
<input type="checkbox"/> BZ	bronze
<input type="checkbox"/> BG	green
<input type="checkbox"/> BW	white
<input type="checkbox"/> BY	gray
<input type="checkbox"/> RAL	RAL-
<input type="checkbox"/> OTHER	

Consult factory for premium and verde finishes. Custom colors available.

**EPA table (ft<sup>2</sup>)**

	tilt		
	0°	15°	30°
30RD	1.42	2.82	4.24
40RD	1.52	4.02	6.58
30SQ	1.42	3.25	5.04
40SQ	1.52	4.82	8.02
CRTS	-	4.65	7.10

**Notes:**

- 1: 208/240/480V fuse holder in pole
- 2: Consult Factory
- 3: Not required for LED source
- 4: 120v-277v only

