



PB242 (formerly AB-4442)

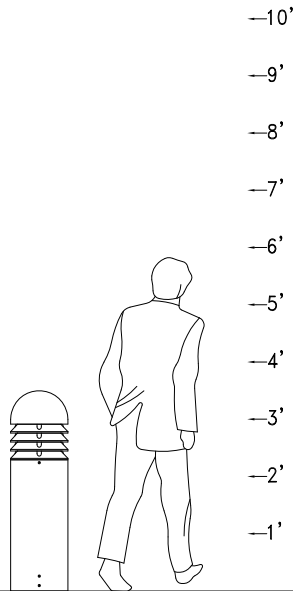
Ø12" Lighted Palm Beach Bollard

Project Information

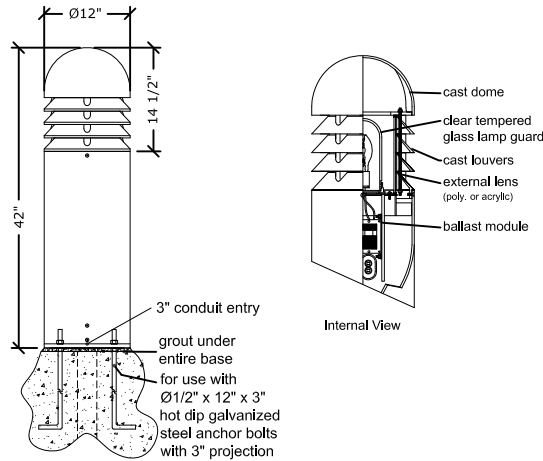
Name / Location: _____ / _____
 Type / Quantity: _____ / _____
 Sold to: _____
 PO#: _____

Approvals

Perspective



Bollard Detail



Specifications

Construction:

All cast aluminum parts shall be low copper alloy A356. All extruded aluminum parts shall be alloy 6061-T6, 6063-T5 or equal.

Electrical Assembly:

The electrical assembly shall be comprised of a high power factor ballast, designed to operate an HID lamp (by others) up to 150 watts and shall be integrally mounted to a removable aluminum tray with nonferrous brackets and fasteners. The lampholder shall be porcelain glazed and rated for 600V and 4KV pulse for medium based lamps. Electronic ballasts shall be supplied for all CFL sources and are an option for HID sources; consult factory for details.

The bollard shall be NRTL listed and suitable for wet locations.

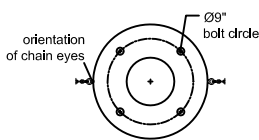
Anchor Bolts:

(4) 1/2"X12"X3" anchor bolts, double hex nuts and flat washers shall be hot dipped galvanized steel. A bolt circle template shall be provided.

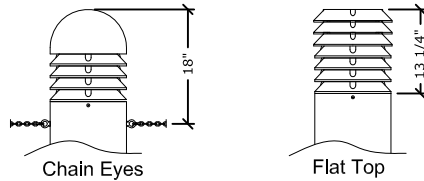
Direct Burial Extension:

Consult factory for recommendations.

Anchor Bolt Pattern



Style Options



Fasteners:

All fasteners shall be stainless steel. When tamper resistant fasteners are required, spanner HD (snake eye) style shall be provided (special tool required, available at additional cost).

Finish:

Finish shall be Beacote III polyester powdercoat electrostatically applied and thermocured. Bollards shall be subjected to iron phosphate chemical pre-treatment prior to painting by immersion process.

Ordering Example:

PB242L / PC / MH70-120-D / PEC / CED / BB

PB242

<p>Style</p> <p><input type="checkbox"/> L Lighted <input type="checkbox"/> U Unlighted</p> <p>Lens Material</p> <p><input type="checkbox"/> A Acrylic <input type="checkbox"/> P Polycarbonate</p> <p>Lens Finish</p> <p><input type="checkbox"/> C Clear <input type="checkbox"/> F Frosted <input type="checkbox"/> W White</p> <p>Notes: *Consult Factory **Specify Location</p>	<p>Source</p> <p>MH50 50w metal halide MH70 70w metal halide MH10 100w metal halide HPS50 50w high pressure sodium HPS70 70w high pressure sodium HPS10 100w high pressure sodium CF42 42w compact fluorescent INC incandescent (150w max) OTHER _____</p> <p>Voltage</p> <p><input type="checkbox"/> 120 120v <input type="checkbox"/> 208 208v <input type="checkbox"/> 240 240v <input type="checkbox"/> 277 277v <input type="checkbox"/> 347 347v* <input type="checkbox"/> 480 480v*</p>	<p>Socket</p> <p><input type="checkbox"/> D medium <input type="checkbox"/> G12 G12 bi-pin <input type="checkbox"/> 4P 4-pin (compact fluorescent)</p> <p>Electrical Options</p> <p><input type="checkbox"/> PEC photocell * <input type="checkbox"/> FS fuse holder * <input type="checkbox"/> EB electronic ballast * <input type="checkbox"/> IQ IQ On Board *</p> <p>Style Options</p> <p><input type="checkbox"/> CES chain eye, single** <input type="checkbox"/> CED chain eye, double** <input type="checkbox"/> FLT flat top</p>	<p>Finish</p> <p><input type="checkbox"/> BB black <input type="checkbox"/> BZ bronze <input type="checkbox"/> BG green <input type="checkbox"/> BW white <input type="checkbox"/> BY gray <input type="checkbox"/> RAL RAL-_____ <input type="checkbox"/> OTHER _____</p> <p><small>Consult factory for premium and verde finishes. Custom colors available.</small></p>
--	--	--	--