


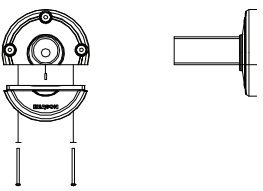
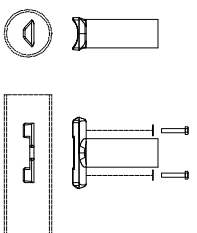
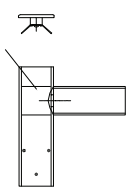
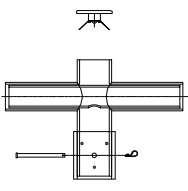
Type:

Ordering Code:

Job Name:

Notes:

MOUNTING ACCESSORIES

Adjustable Knuckle Mount (PK2)	Wall Mount (WM)	Side Pole Adaptor (SPM)
 <p data-bbox="203 787 568 819">Adjustable slip fitter for 2 3/8" OD Tenon</p>	 <p data-bbox="738 787 950 819">single 2 3/8" OD Tenon</p>	 <p data-bbox="1193 787 1404 819">single 2 3/8" OD Tenon</p>
Tenon Mount Single (TH190)		Tenon Mount Twin (TH2180)
 <p data-bbox="349 1281 568 1312">single 2 3/8" OD Tenon</p>		 <p data-bbox="1031 1281 1315 1312">twin 2 3/8" OD Tenons @ 180°</p>

ordering

ORDERING EXAMPLE: PK2 / BB

<input type="text"/>	<input type="text"/>
----------------------	----------------------

model	finish
PK2 adjustable knuckle mount	BB black
WM wall mount	BZ bronze
SPM side pole adaptor	BW white
TH190 tenon mount single	BG green
TH2180 tenon mount double	BY gray
	MB metallic bronze
	MT metallic titanium
	___ RAL
	___ other