

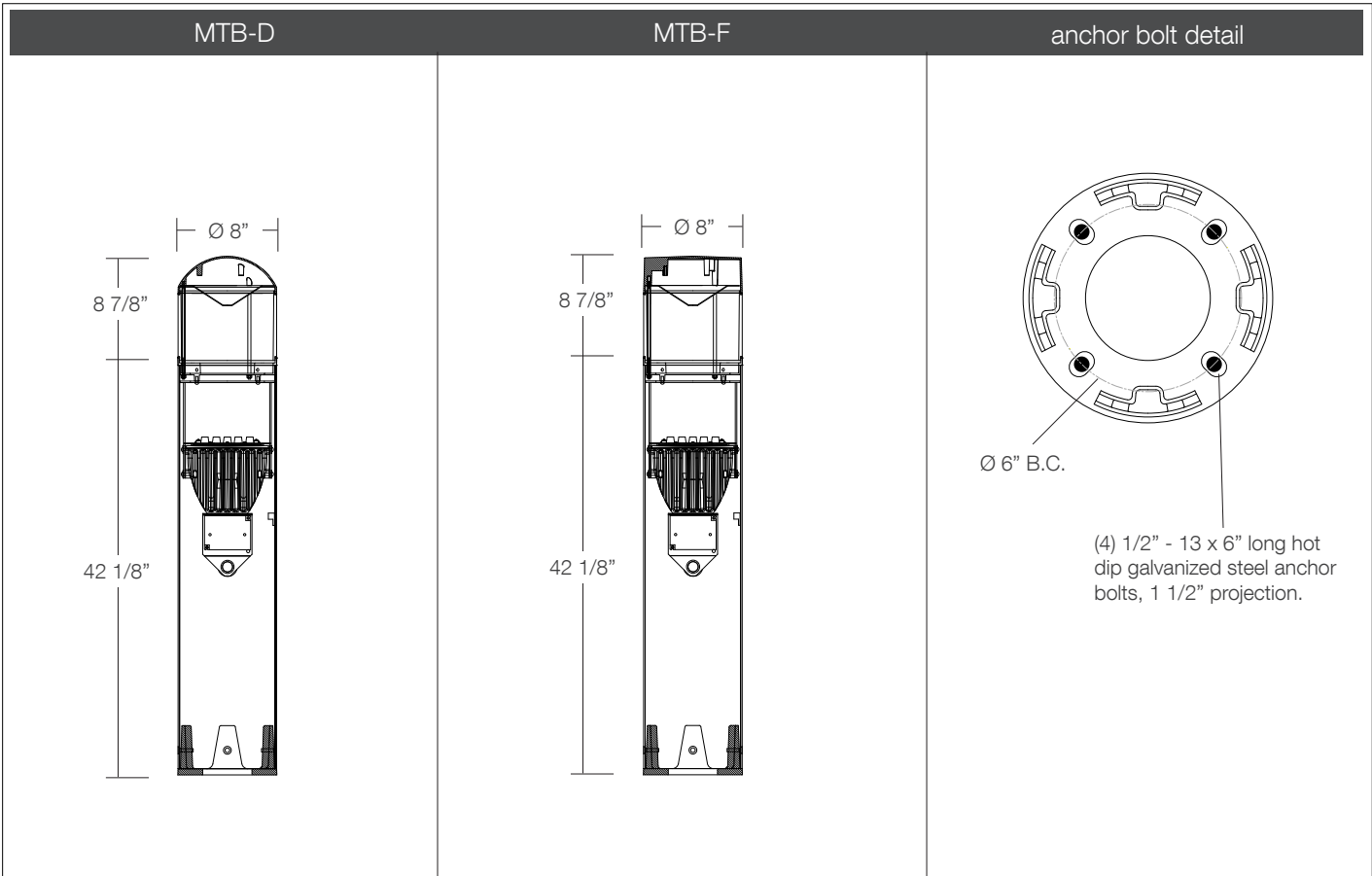
Type:

Ordering Code:

Job Name:

Notes:

METRO led bollard



ORDERING EXAMPLE: MTB-F / 42 / AC / 24G-60 / UNV / IND5 / BB

<input type="text"/>	<input type="text"/>	<input type="text"/>	<input type="text"/>	<input type="text"/>	<input type="text"/>	<input type="text"/>
----------------------	----------------------	----------------------	----------------------	----------------------	----------------------	----------------------

model	height (overall)	lens finish	engine-watts	voltage	optics	options	color
MTB-F flat top	42 42"	AC clear acrylic	24G-30	UNV 120-277V	IND5 indirect type V	HSS-120 housing side shield 120°	BB black
MTB-D domed top	__ custom		24G-60	347V 480V 12VDC * __ other	(360° standard)	HSS-180 housing side shield 180° OCS-BI microwave motion sensor **	BZ bronze BW white BG green BY gray MB metallic bronze MT metallic titanium __ RAL __ other

* consult factory for **12VDC**
 ** **OCS-BI** motion sensor time delay operates 1/2 leds & half power
 note: LED source shall be supplied at 4500K (CCT). Specify if other color temperature is required. (minimum quantities may apply)

Amber LEDs available (consult factory for watts and lumens)

GENERAL: Each Beacon Metro Bollard is a luminaire with an LED heat sink and an LED engine containing 24 high powered indirect LEDs. Die cast louvers are optional. The LED engine is concealed in shaft to eliminate glare. The optics are narrow beams designed to provide glare free indirect lighting.

UPPER HOUSING: A die cast aluminum dome top secures to a one-piece die cast aluminum top assembly with concealed tamper resistant screws.

LOWER HOUSING: .125" wall 6063-T5 extruded aluminum which connects to the top the mounting tenon with internal bolts, inaccessible after installation.

LENS & OPTICAL SYSTEM: Beacon LED Bollards feature The LED module and heat sink shall be removable and upgradable. The drivers shall be mounted on a removable plate and protected by a 10,000 amp transient surge protector.

The heat sink shall be 356 cast aluminum and be tested with 24 Cree XP-G / 130 lumen LEDs at 4500k. The 24 LED Array shall be 60 watts maximum and be provided with 12 degree wide beam Type V lenses. Each LED shall have one optical lens. The Heat Sink & LED Array shall be mounted to a mounting plate and pointed upwards into an indirect reflector. No direct top mounted optics or aiming of individual LEDs will not be accepted.

ELECTRICAL: Luminaires are equipped with LED drivers that accepts 100V through 277V, 50 Hz to 60 Hz (UNIV), or a driver that accepts 347V or 480V input. Power factor is .92 at full load. All electrical components are rated at 50,000 hours at full load and 25°C ambient conditions per MIL-217F Notice 2. Optional 0 to 10 volt dimming drivers are available upon request. All driver components supplied are component-to-component wiring within the luminaire will carry no more than 80% of rated current and is listed by UL for use at 600VAC at 50°C or higher. Plug disconnects are listed by UL for use at 600 VAC, 15A or higher.

SURGE PROTECTOR: The onboard surge protector shall be a UL recognized component for the United States and Canada and have a surge current rating of 10,000 Amps using the industry standard 8/20 pSec wave. The LSP shall have a clamping voltage of 320V and surge rating of 372J. The case shall be a high-temperature, flame resistant plastic enclosure.

FASTENERS: All fasteners shall be stainless steel. When tamper resistant fasteners are required, spanner HD (snake eye) style shall be provided (special tool required, consult factory).

MOUNTING: A high strength steel mounting plate, hot-dip galvanized after fabrication, is secured and double-nut leveled to the concrete footing with (4) 1/2" x 8" x 1 1/2" anchor bolts on a 4 3/4" - 6" bolt circle.

AGENCY CERTIFICATION: The luminaire shall bear a CSA label and be marked suitable for wet locations.

WARRANTY: Beacon luminaires feature a 5 year limited warranty. Beacon LED luminaires with LED arrays feature a 5 year limited warranty covering the LED arrays. LED drivers are covered by a 5 year limited warranty. PIR sensors carry a 5 year limited warranty from the sensor manufacturer. See Warranty Information on www.beaconproducts.com complete details and exclusions.

