

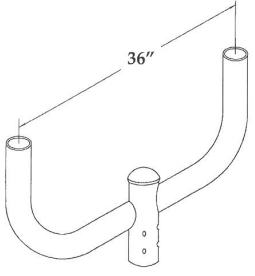
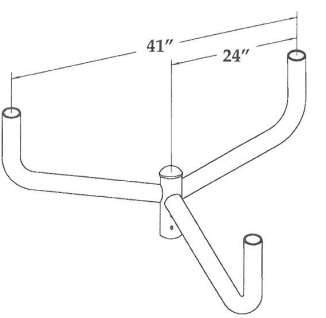
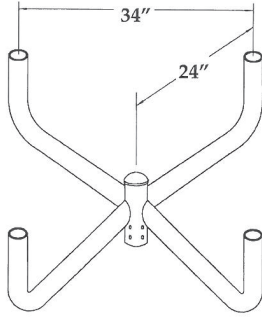
Type:

Ordering Code:

Job Name:

Notes:

BULL HORN bracket

BHB2	BHB3	BHB4
 <p>Bull Horn Bracket Two Light</p>	 <p>Bull Horn Bracket Three Light</p>	 <p>Bull Horn Bracket Four Light</p>

ordering	notes																														
<p>ORDERING EXAMPLE: BHB2 / 2-38 / BB</p> <div style="display: flex; justify-content: space-around; margin-bottom: 10px;"> <input type="text"/> <input type="text"/> <input type="text"/> </div> <table border="1"> <thead> <tr> <th>model</th> <th>pole tenon Ø</th> <th>finish</th> </tr> </thead> <tbody> <tr> <td>BHB2</td> <td>2-38 Ø 2 3/8"</td> <td>BB black</td> </tr> <tr> <td>BHB3</td> <td>2-78 Ø 2 7/8"</td> <td>BZ bronze</td> </tr> <tr> <td>BHB4</td> <td>4-00 Ø 4"</td> <td>BW white</td> </tr> <tr> <td></td> <td></td> <td>BG green</td> </tr> <tr> <td></td> <td></td> <td>BY gray</td> </tr> <tr> <td></td> <td></td> <td>MB metallic bronze</td> </tr> <tr> <td></td> <td></td> <td>MT metallic titanium</td> </tr> <tr> <td></td> <td></td> <td>___ RAL</td> </tr> <tr> <td></td> <td></td> <td>___ other</td> </tr> </tbody> </table>	model	pole tenon Ø	finish	BHB2	2-38 Ø 2 3/8"	BB black	BHB3	2-78 Ø 2 7/8"	BZ bronze	BHB4	4-00 Ø 4"	BW white			BG green			BY gray			MB metallic bronze			MT metallic titanium			___ RAL			___ other	<p>The Bull Horn Bracket is shipped with removable cap and mounting hardware assembled</p>
model	pole tenon Ø	finish																													
BHB2	2-38 Ø 2 3/8"	BB black																													
BHB3	2-78 Ø 2 7/8"	BZ bronze																													
BHB4	4-00 Ø 4"	BW white																													
		BG green																													
		BY gray																													
		MB metallic bronze																													
		MT metallic titanium																													
		___ RAL																													
		___ other																													