



SLIDE

Created to yield the ultimate in flexibility for each individual solution. The geometrical form of the cylinder is the elementary center of the Slide luminaire. The clear, timeless design concept underlines simplicity and functionality. Both the contemporary and traditional styles of architecture seen in today's public spaces benefit from the integration of this clean, minimal form. With multiple shade and dome options, together with Beacon's state-of-the-art direct bezel optical system, designers now have the opportunity to create a custom look with the economy of standard components.

FEATURING

- 3** top shade styles
- 3** wattages
- 5** lighting distributions
- smart** driver technology
- 7** standard colors
- LifeShield™** thermal regulator

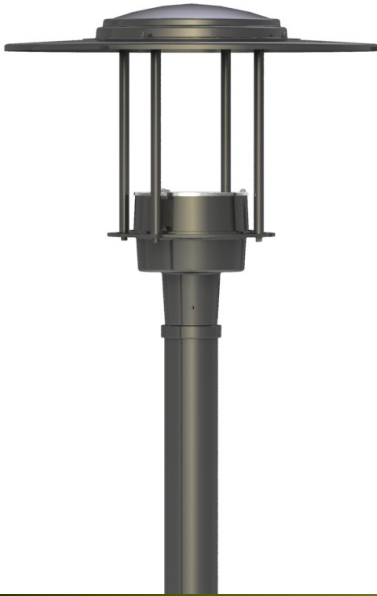


Beacon Products | Slide Luminaire

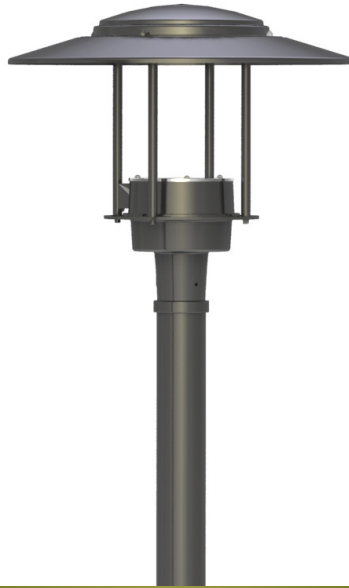
contemporary



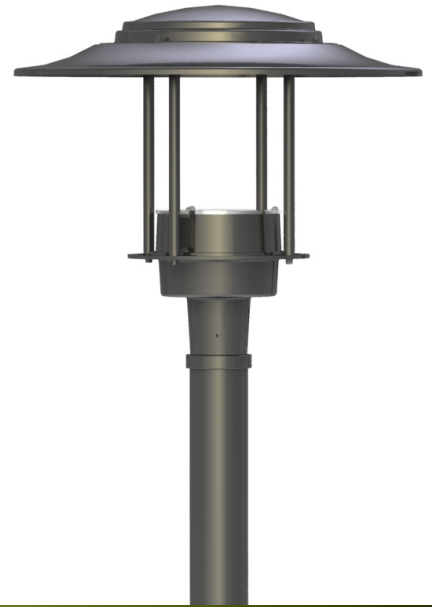
flat top shade (FTS)



sloped top shade (STS)



curved top shade (CTS)



The direct optical system give the designer 3 different LED wattages and 6 different lighting distribution patterns. These optical and appearance options make the Slide the 'right' luminaire for a wide variety of decorative landscape lighting installations.

Type:

Ordering Code:

Job Name:

Notes:

SLIDE

details	shade options		
	<p>flat top shade (FTS)</p>	<p>sloped top shade (STS)</p>	<p>curved top shade (CTS)</p>

ORDERING EXAMPLE: SLD / 36G-90 / UNV / T2 / LSC / CTS / MT

--	--	--	--	--	--	--	--

model	engine-watts	voltage	optics	electrical options	shade	color
SLD	24G-30	UNV 120-277V	T2 type II	PEC photocell	FTS flat top	BB black
	24G-60	347V	T3 type III	1PF single power feed	STS sloped top	BZ bronze
	36G-90	480V	T4 type IV	2PF dual power feed	CTS curved top	BW white
	(see chart)	12VDC consult factory	T5R type V, rectangular T5S type V, square T5W type V wide round	LSC LifeShield™ thermal regulator DD 0-10V dimming drivers		BG green BY gray MB metallic bronze MT metallic titanium ___ RAL ___ other

Amber LEDs available (consult factory for watts and lumens)

Rated lifetime is based on an exponential decay model, using lamp manufacturers' data points from LM80 testing. This philosophy has been used by other manufacturers, as well as the Department of Energy. Lifetime rating may be revised to comply with TM-21 once that Standard is released.

Power/Lumens & Distributions

Engine	T5-70 Lumens	T5-50 Lumens	T2/T3 Lumens	T4 Lumens	# of LEDs	CCT LED Type	L70 Life Hrs
24G-30	2432	2583	2253	2233	24	4500K	170,000h
24G-60	4224	4493	3918	3881	24	4500K	150,000h
36G-90	6670	7094	6187	6128	36	4500K	150,000h

HOUSING & THERMAL MANAGEMENT: All cast aluminum parts for the Beacon Slide luminaire shall be ASTM 356 marine grade alloy. The large upper shade shall be made from a one-piece aluminum spinning. The small top shade shall be removable for wiring access to the LED engine. The large upper shade provides direct-heat exchange between the LED light engine and the cool outdoor air. Housing is designed for LED thermal management without the use of metallic screens, cages, or fans. The underside of the shade shall be painted with a reflective white paint when a dark color is specified. The vertical struts are 3/4" aluminum tubing. Housing shall be cast aluminum and designed to conceal all electronic equipment and shall be sealed for weather-tight operation. Slips over a 3 x4" tenon.

The LED engine bezel system shall be mechanically attached to the upper shade. The upper shade shall be the heat sink for the LED engine and bezel system. The cast lower housing shall house the LED driver assembly. The vertical struts shall be the concealed electrical wire-way.

BEZEL OPTICAL SYSTEM: Each Beacon Slide luminaire is supplied with an Optical one piece cartridge system consisting of an LED engine, LED lamps, optics, gasket and die cast aluminum bezel. The cartridge is held together with internal brass standoffs soldered to the board so that it can be field replaced as a one piece Optical system. Two-piece silicone and polycarbonate foam gasket ensures a weather-proof seal around each individual LED and allows the Slide luminaire to be rated for high-pressure hose down applications.

The optical cartridge is secured to the extruded housing with fasteners and a heat pad to ensure thermal conductivity. The optics are held in place without the use of adhesives and the complete assemble is gasketed for high pressure hose down cleaning. The cartridge assembly is available in various lighting distributions using TIR designed Acrylic optical lenses over each LED.

PRINTED CIRCUIT BOARD (PCB): Aluminum thermal clad board with 0.062" thick aluminum base layer "high temperature" HT-06503 or equivalent (subject to change) dielectric (0.003" thick, thermal conductivity of 2.2 W/MK, UL RTI of 140°C) 0.0014" thick copper circuit layer Circuit layer designed with copper pours to minimize thermal impedence across dielectric. Board shall be supplied with QPAD-3 fiberglass reinforced thermal pad 0.005" thick thermal conductivity of 2.0 W/Mk. Continuous use temperature of 180°C UL94 V-0. Board will be mounted to the heat sink using 12 #4-40 screws to ensure contact with thermal pad and heat sink. Use of thermal grease will not be allowed.

LIFESHIELD™ CIRCUIT: Thermal circuit shall protect the luminaire from excessive temperature by interfacing with its 0-10V dimmable drivers to reduce drive current as necessary. The factory-preset temperature limits shall be designed to ensure maximum hours of operation to assure L70 rated lumen maintenance. The device shall activate at a specific, factory-preset temperature, and progressively reduce power over a finite temperature range in recognition of the effect of reduced current on the internal temperature and longevity of the LEDs and other components.

A luminaire equipped with the device may be reliably operated in any ambient temperature up to 55°C (131°F).

The thermal circuit will allow higher maximum wattages than would be permissible on an unregulated luminaire (if some variation in light output is permissible), without risk of premature LED failure.

Operation shall be smooth and undetectable to the eye. Thermal circuit shall directly measure the temperature at the LED solder point.

Thermal circuit shall consist of surface mounted components mounted on the LED engine (printed circuit board). For maximum simplicity and reliability, the device shall have no dedicated enclosure, circuit board, wiring harness, gaskets, or hardware. Device shall have no moving parts, and shall operate entirely at low voltage (NEC Class 2). The device shall be located in an area of the luminaire that is protected from the elements.

Thermal circuit shall be designed to "fail on", allowing the luminaire to revert to full power in the event of an interruption of its power supply, or faulty wiring connection to the drivers.

Device shall be able to co-exist with other 0-10V control devices (occupancy sensors, external dimmers, etc.). The device will effectively control the solder point temperature as needed; otherwise it will allow the other control device(s) to function unimpeded.

ELECTRICAL: Luminaires are equipped with an LED driver that accepts 100V through 277V, 50 Hz to 60 Hz (UNIV), or a driver that accepts 347V or 480V input. Power factor is .92 at full load. All electrical components are rated at 50,000 hours at full load and 40°C ambient conditions per MIL-217F Notice 2. Optional 0 to 10 volt dimming drivers are available upon request. Component-to-component wiring within the luminaire may carry no more than 80% of rated load and is listed by UL for use at 600VAC at 50°C or higher. Plug disconnects are listed by UL for use at 600 VAC, 15A or higher. 15A rating applies to primary (AC) side only.

SURGE PROTECTOR: The onboard surge protector shall be a UL recognized component for the United States and Canada and have a surge current rating of 10,000 Amps using the industry standard 8/20 pSec wave. The LSP shall have a clamping voltage of 320V and surge rating of 372J. The case shall be a high-temperature, flame resistant plastic enclosure.

FASTENERS: All fasteners shall be stainless steel. When tamper resistant fasteners are required, spanner HD (snake eye) style shall be provided (special tool required, consult factory).

AGENCY CERTIFICATION: The luminaire shall bear a CSA label and be marked suitable for wet locations.

WARRANTY: Beacon luminaires feature a 5 year limited warranty. Beacon LED luminaires with LED arrays feature a 5 year limited warranty covering the LED arrays. LED drivers are covered by a 5 year limited warranty. PIR sensors carry a 5 year limited warranty from the sensor manufacturer. See Warranty Information on www.beaconproducts.com complete details and exclusions.

Please note: for optimum performance, the shade is always finished with a high reflectance white powdercoat finish.